

## 低阻值電阻器 (銅錳線 & 銅鎳線)



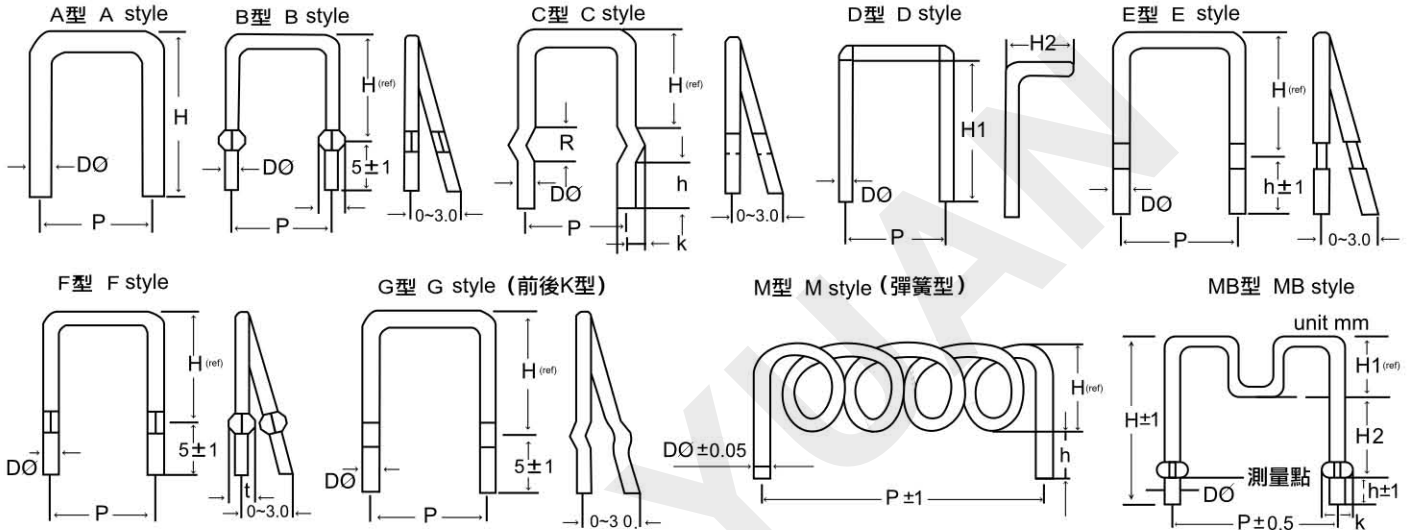
### 特點

- 適用電源迴路等電流檢出
- 尺寸小且重量輕
- 歡迎客戶訂製
- 使用溫度範圍: -40°C ~ +200°C

### Features

- Current detective resistor for power supply circuit, etc.
- Small size and light weight
- Customer's design are welcomed
- Operating temperature range: -40°C ~ +200°C

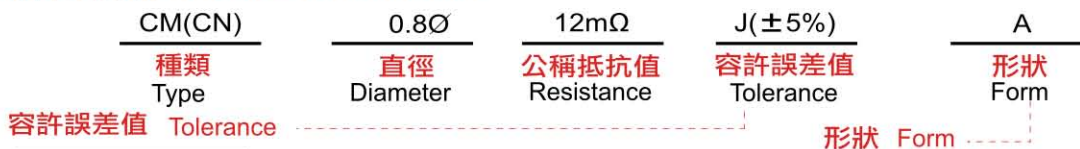
### 規格 Specifications



注：外型尺寸、線徑、測量點可根據設計要求或客戶要求設定。  
As for demention diameter measure point with design requirement or customer requirement

線徑 $\phi d$ (mm)	最大額定電流 (A) Max Current Rating	阻值範圍 (m $\Omega$ ) Resistance Range		容許誤差值 Resistance Tolerance	溫度係數 T.C.R.(ppm/°C)
		Copper-Manganese	Copper-Nickel		
0.4	2.0	70m $\Omega$ ~200m $\Omega$	80m $\Omega$ ~220m $\Omega$	J( $\pm 5\%$ ) K( $\pm 10\%$ )	$\pm 100$ ppm/°C
0.5	2.5	50m $\Omega$ ~150m $\Omega$	60m $\Omega$ ~165m $\Omega$		
0.6	3.0	50m $\Omega$ ~100m $\Omega$	60m $\Omega$ ~110m $\Omega$		
0.7	4.0	30m $\Omega$ ~70m $\Omega$	35m $\Omega$ ~75m $\Omega$		
0.8	4.5	20m $\Omega$ ~50m $\Omega$	25m $\Omega$ ~55m $\Omega$		
0.9	5.0	20m $\Omega$ ~40m $\Omega$	25m $\Omega$ ~40m $\Omega$		
1.0	5.5	15m $\Omega$ ~30m $\Omega$	20m $\Omega$ ~30m $\Omega$		
1.1	6.0	15m $\Omega$ ~20m $\Omega$	16m $\Omega$ ~22m $\Omega$		
1.2	7.0	10m $\Omega$ ~20m $\Omega$	12m $\Omega$ ~22m $\Omega$		
1.3	7.5	10m $\Omega$ ~20m $\Omega$	12m $\Omega$ ~22m $\Omega$		
1.4	8.0	10m $\Omega$ ~20m $\Omega$	12m $\Omega$ ~22m $\Omega$		
1.5	9.0	10m $\Omega$ ~20m $\Omega$	12m $\Omega$ ~22m $\Omega$		
1.6	9.5	10m $\Omega$ ~15m $\Omega$	12m $\Omega$ ~16m $\Omega$		
1.8	11	5m $\Omega$ ~10m $\Omega$	6m $\Omega$ ~11m $\Omega$		
2.0	12	3m $\Omega$ ~10m $\Omega$	6m $\Omega$ ~11m $\Omega$		
2.5	14	2m $\Omega$ ~5m $\Omega$	3.5m $\Omega$ ~5.5m $\Omega$		

### 品名構成 Product Identification



J	K
$\pm 5\%$	$\pm 10\%$

A型	B型	C型	D型
E型	F型	G型	